

# Stationary Auger Compactor



Easy to use and maintenance friendly

Always moves material forward

Higher payloads on materials such as OCC and dry waste

Whisper quiet

# Stationary Auger Compactor

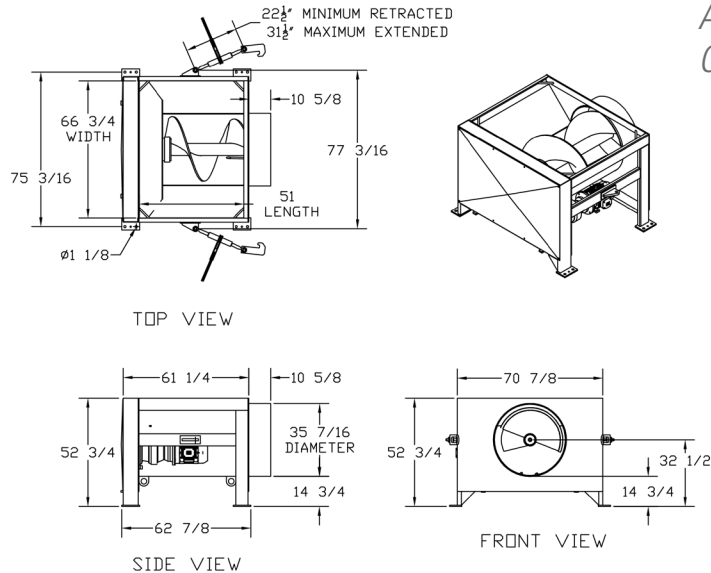
Marathon's Stationary Auger Compactors are specifically designed for compacting large volumes of waste material. The Stationary Compactor is best suited for dry waste, such as paper and cardboard. Marathon Auger Compactors offer a sealed compaction chamber without a cavity, where waste can collect, decompose, and smell.

The advantages of using an Auger Compactor:

- » Denser waste volume, reducing transport movements and cost
- » Minimize waste storage space on site



*AST-220 Stationary Auger Compactor*



Specifications for AST-220		
Head Weight	4,250 lbs	1,925 kg
Auger Diameter	36"	900 mm
Container Penetration	11"	265 mm
Charge Chamber Size	1 yd <sup>3</sup>	.76 m <sup>3</sup>
Performance Characteristics		
Auger Speed	14 rpm	14 rpm
Cycle Time	8.5 sec	8.5 sec
Displacement Rate	425 yd <sup>3</sup> /hr	325 m <sup>3</sup> /hr
Electrical Equipment		
Electric Motor 3/60/230-460	20 hp	15 kW



Visit [www.marthonequipment.com](http://www.marthonequipment.com) to learn more about how Marathon Solutions are making a difference around the world.



**Marathon Equipment Company**  
P.O. Box 1798  
Vernon, AL 35592-1798  
800.633.8974



Pictures in this literature are illustrative only. Specifications are subject to change without notice in order to accommodate improvements to the equipment. Complies with ANSI standard Z245.2, and applicable OSHA Regulations. Products must be used with safe practice and in accordance with said operator manual and applicable regulations and standards.